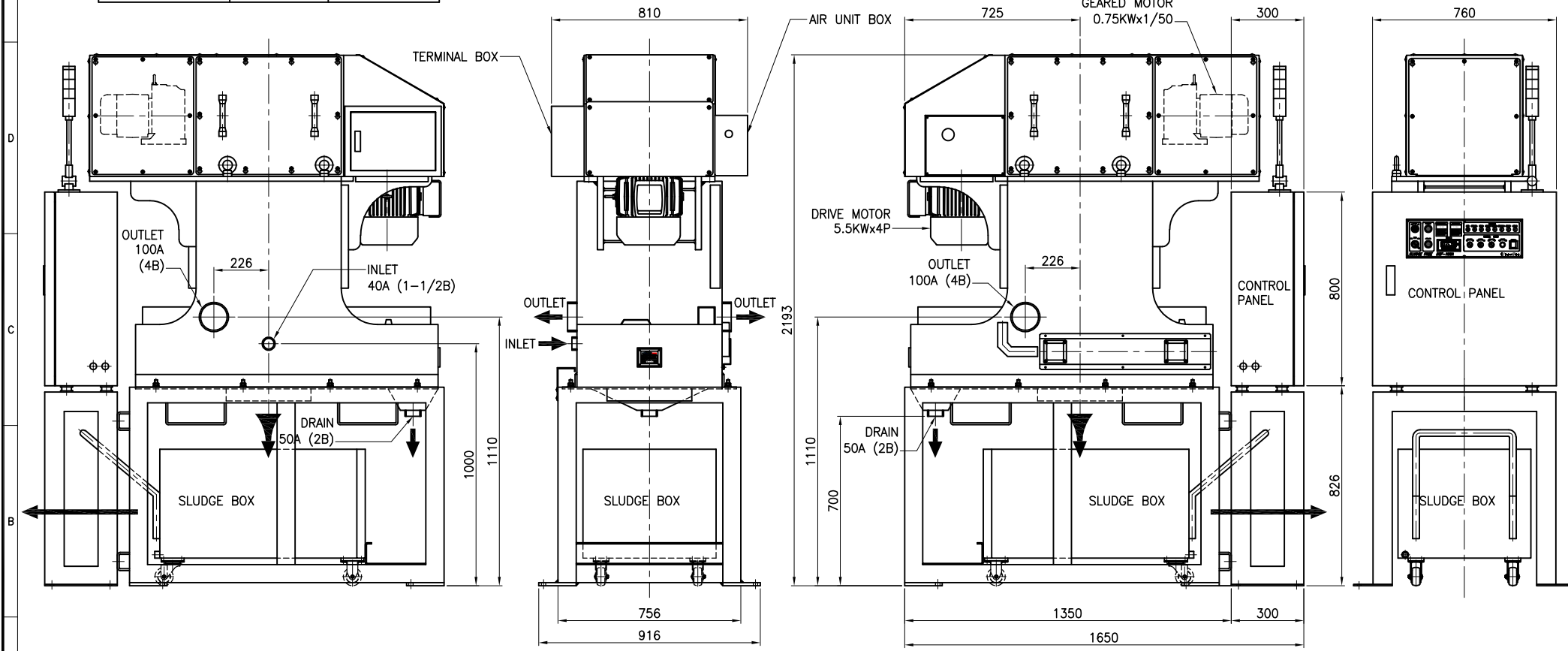
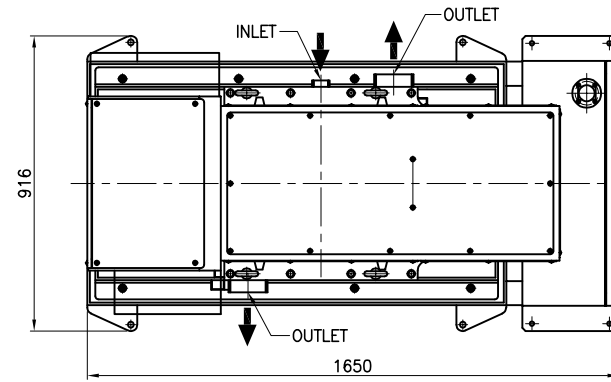


NSF-200A

ORIG. DWG. NO. 1

SPECIFICATION	
Process capacity	200L / min
Rotor volume	22L
Rotor speed	2200 rpm G force =1080
Drive motor	5.5Kw x 4P 220/380V x 3ph x 60Hz
Inlet	40A (1-1/2B) Height 1000mm
Outlet	100A (4B) Height 1110mm
Drain	50A (2B) Height 700mm
Air Supply	More Than 5 Kgf/cm ²
Weight	1200 Kgf
OPTION	
Drive motor	5.5Kw x 4P 220/380V x 3ph x 50Hz
Rotor speed	1800 rpm G force =720



Q'TY	NO.	PART NO.	NAME	MAT'L	SIZE	WT.(Kg)	REMARKS
▲			NOTE		STANDARD		
▲			APPD		TITLE CENTRIFUGAL SEPARATOR		
▲			CHKD 21.12.10 S.G.LEE		SLUDGE FREE NSF-200A		
▲			DESD 21.12.10 S.H.KU		LAY-OUT		
▲			DRAWN 21.12.10 S.H.KU		DWG. NO. NSF200AL		
▲					AUX. NO.		
NO.	REV.	DATE	SIGN				SCALE 1/12 REG.

CleanTec