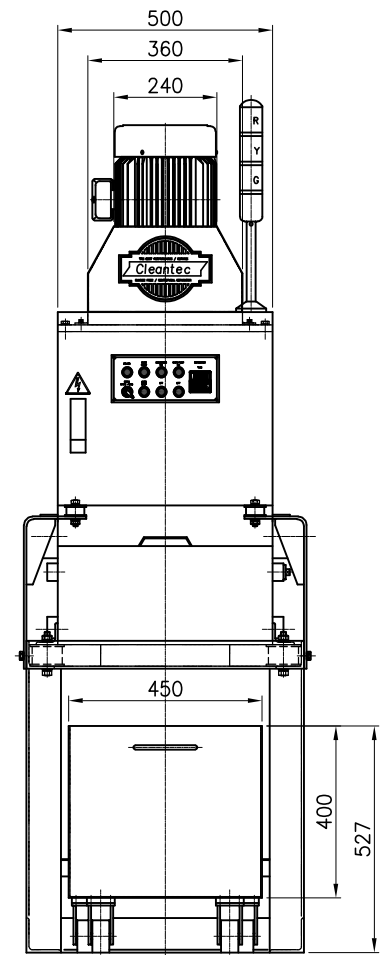
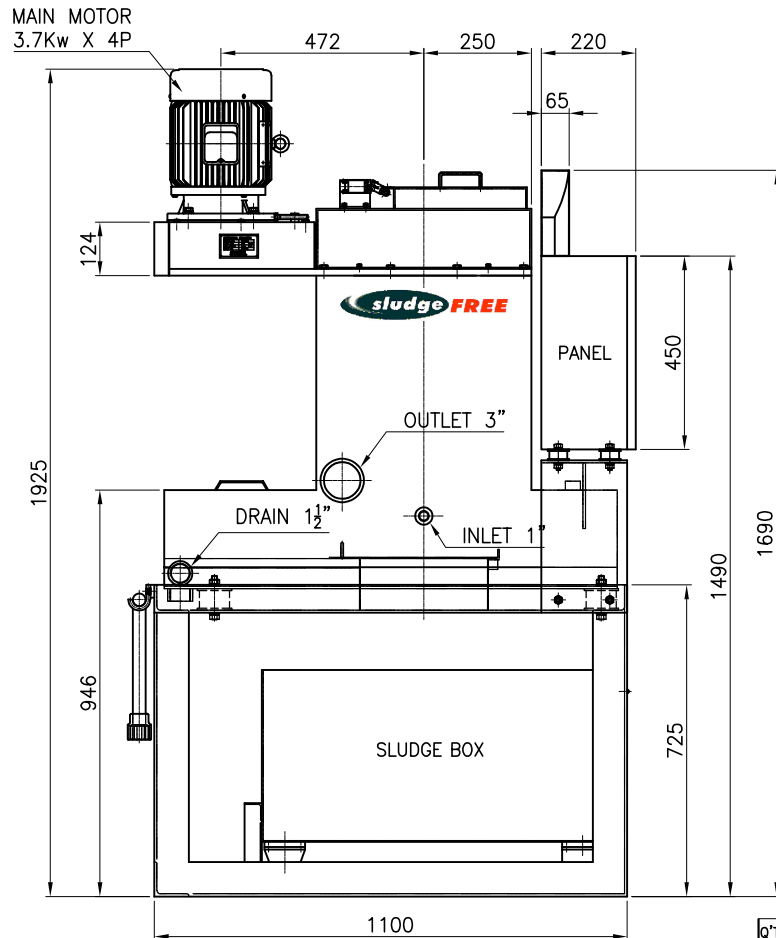
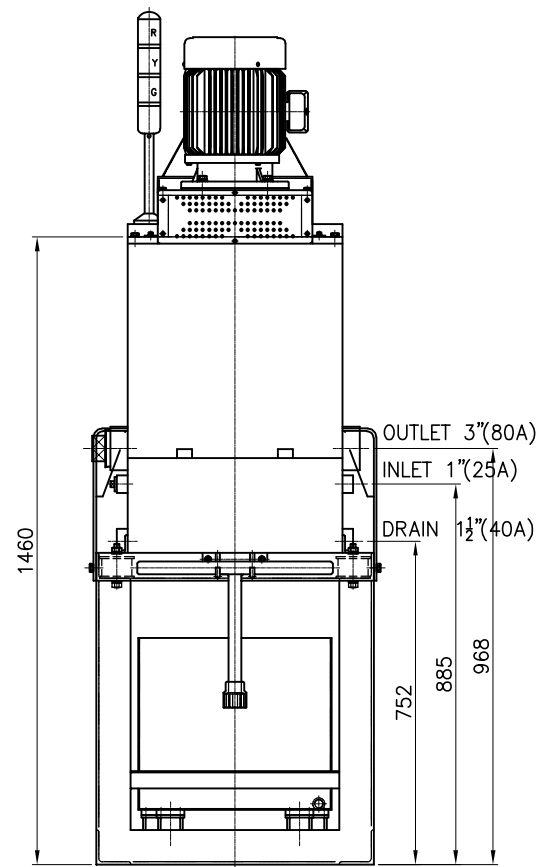
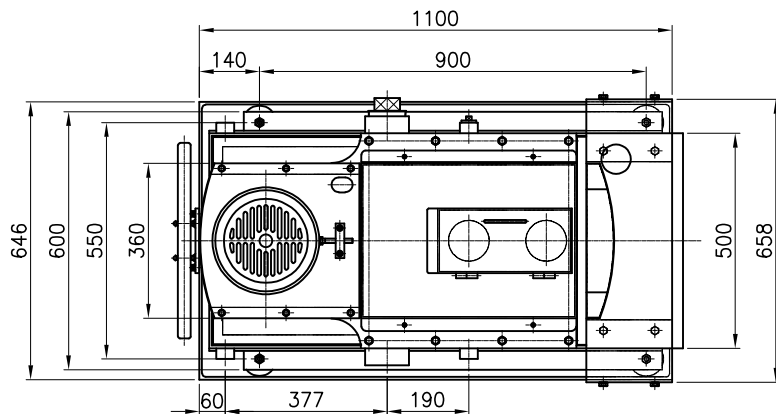


NSF-100S

ORIG DWG. NO. 1

SPECIFICATION	
Process capacity	100L / min
Rotor volume	12L
Rotor speed	2200 rpm G force =930
Drive motor	3.7Kw x 4P 220/380V x 3ph x 60Hz
Inlet	25A (1B) Height 885mm
Outlet	80A (3B) Height 968mm
Drain	40A (1-1/2B) Height 752mm
Air Supply	N/A
Weight	350 Kgf

OPTION	
Drive motor	3.7Kw x 4P 220/380V x 3ph x 50Hz
Rotor speed	1800 rpm G force =620



Q'TY	NO.	PART NO.	NAME	MAT'L	SIZE	WT.(Kg)	REMARKS
▲			NOTE	STANDARD			
▲			APPD		TITLE	CENTRIFUGAL SEPARATOR	SCALE
▲			CHKD		TITLE	SLUDGE FREE NSF-100S	1
▲			DESD			ASS'Y(하부배출 TYPE 외형도)	9
▲			DRAWI	08.07.22	B.S.LEE		
▲					DWG. NO.	NSF100SL	REG.
▲					AUX. NO.		
NO.	REV.	DATE	SIGN	CleanTec			