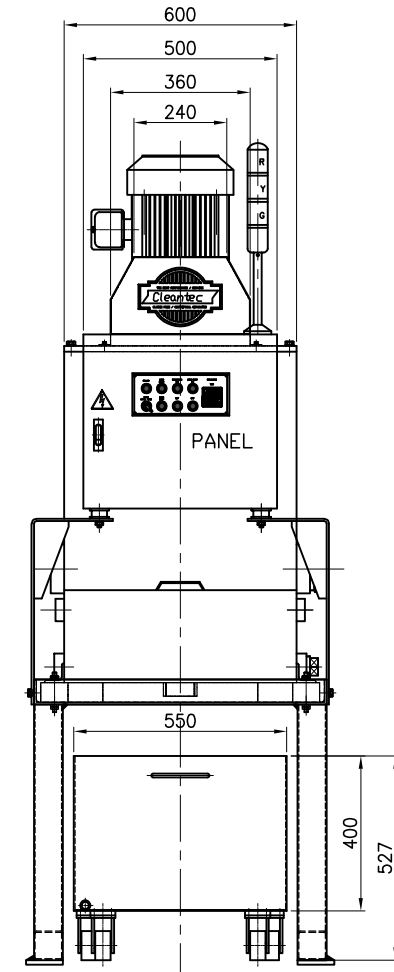
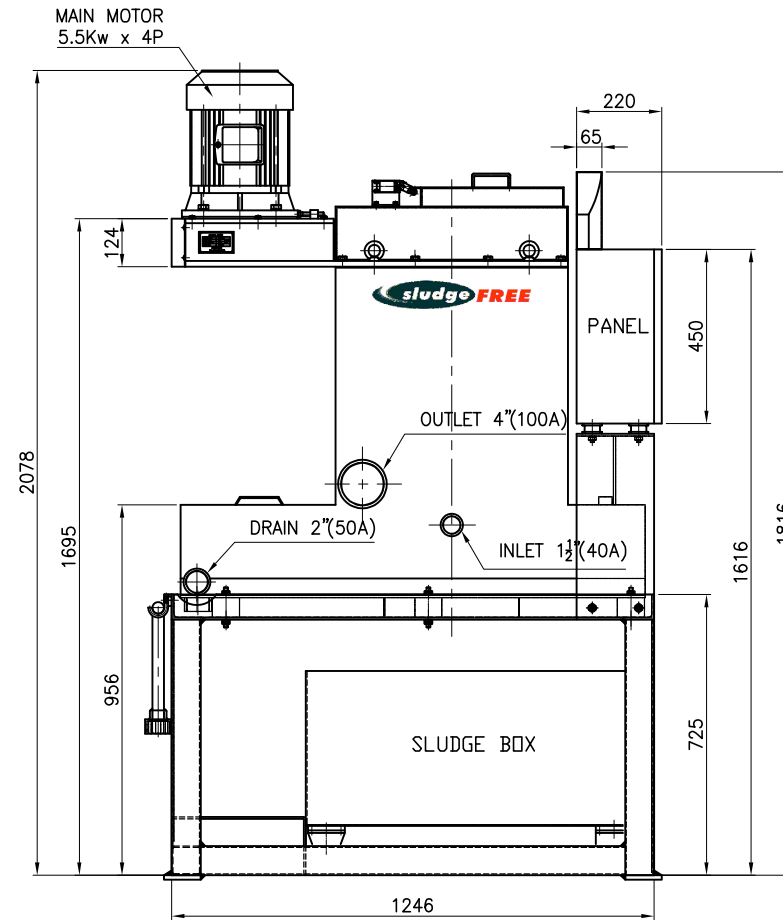
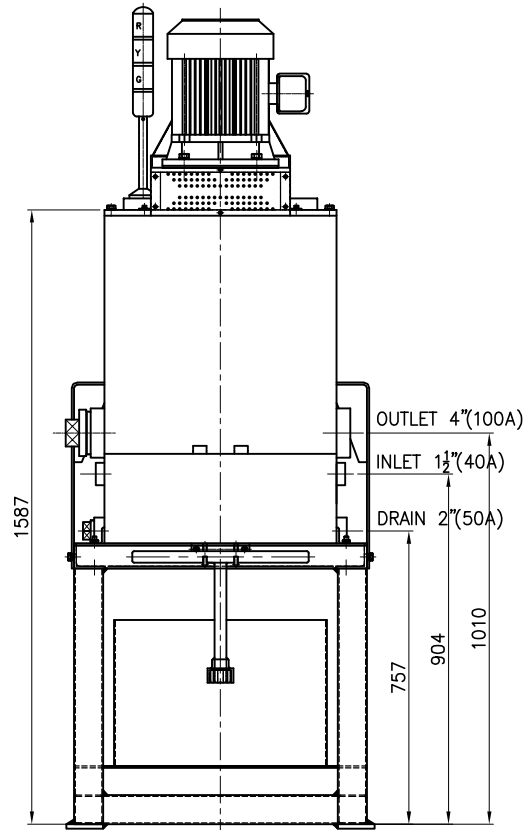
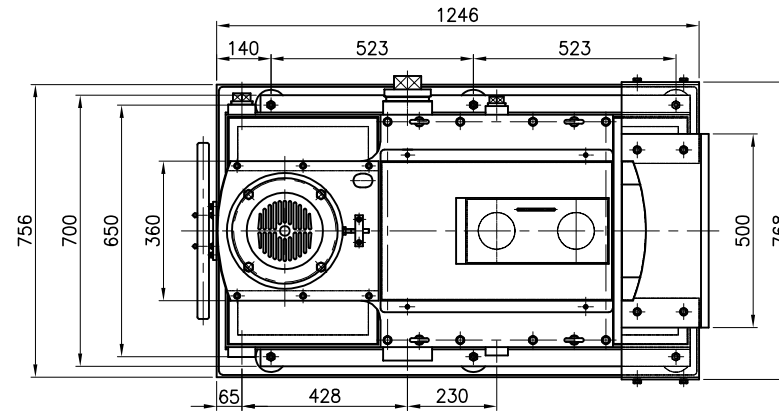


# NSF-200S

ORIG DWG. NO. 1

SPECIFICATION	
Process capacity	200L / min
Rotor volume	22L
Rotor speed	2200 rpm G force =1080
Drive motor	5.5Kw x 4P
	220/380V x 3ph x 60Hz
Inlet	40A (1-1/2B) Height 904mm
Outlet	100A (4B) Height 1010mm
Drain	50A (2B) Height 757mm
Air Supply	N/A
Weight	550 Kgf

OPTION	
Drive motor	5.5Kw x 4P
	220/380V x 3ph x 50Hz
Rotor speed	1800 rpm G force =720



Q'TY	NO.	PART NO.	NAME	MAT'L	SIZE	WT.(Kg)	REMARKS
▲			NOTE				STANDARD
▲			APPD				TITLE CENTRIFUGAL SEPARATOR
▲			CHKD				SLUDGE FREE NSF-200S
▲			DESD				ASS'Y(하부배출 TYPE)
▲			DRAW/06.05.25	B.S.LEE			DWG. NO. NSF200SL
▲							AUX. NO.
▲							SCALE 1/12
▲							REG.
NO.	REV.	DATE	SIGN				

**CleanTec**