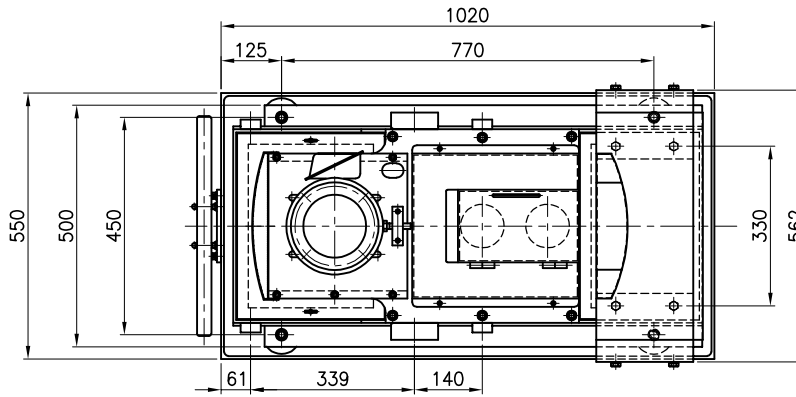


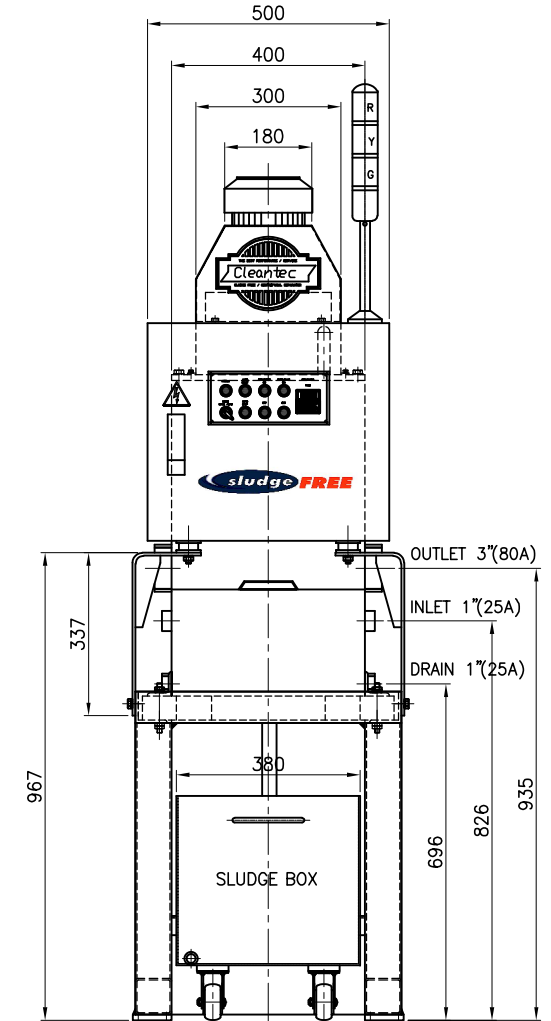
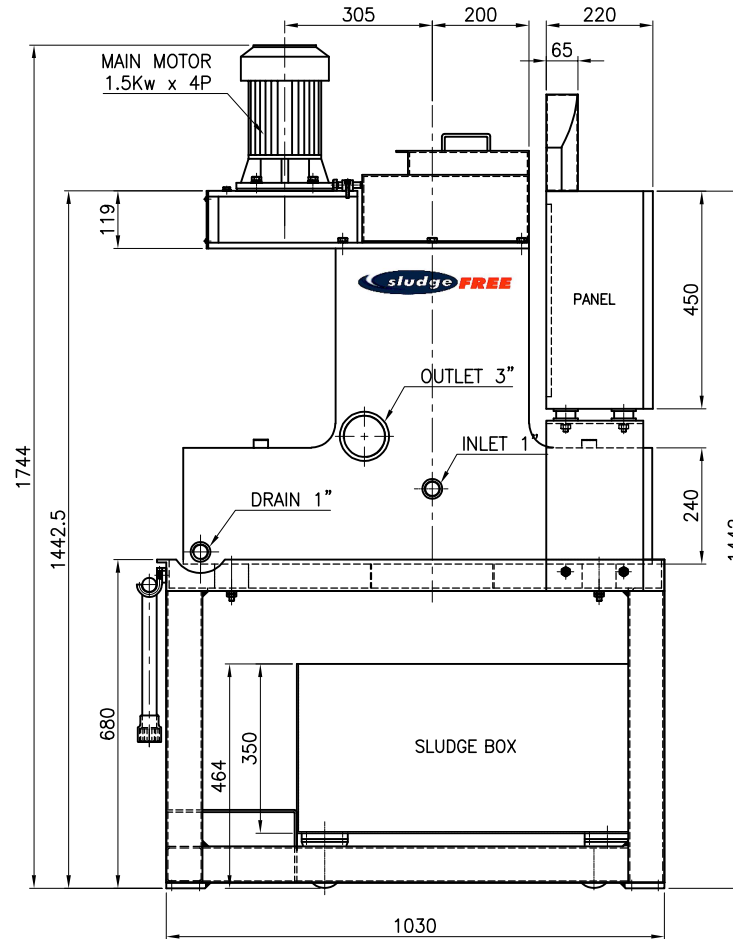
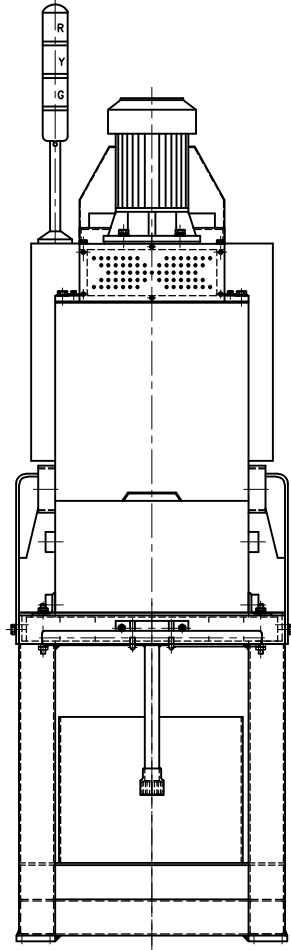
# NSF-50S

ORIG DWG. NO. 1

SPECIFICATION		
Process capacity	50L / min	
Rotor volume	7L	
Rotor speed	2300 rpm	G force =810
Drive motor	1.5Kw x 4P	
	220/380V x 3ph x 60Hz	
Inlet	25A (1B)	Height 826mm
Outlet	80A (3B)	Height 935mm
Drain	25A (1B)	Height 696mm
Weight	250 Kg	



OPTION		
Drive motor	1.5Kw x 4P	
	220/380V x 3ph x 50Hz	
Rotor speed	1900 rpm	G force =550



Q'TY	NO.	PART NO.	NAME	MAT'L	SIZE	WT.(Kg)	REMARKS	
▲			NOTE	STANDARD				
▲			APPD		TITLE	CENTRIFUGAL SEPARATOR		
▲			CHKD		TITLE	SLUDGE FREE NSF-05S		
▲			DESD		ASS'Y(하부배출 TYPE 외형도)			
▲			DRAWI.06.06.01 B.S.LEE					SCALE 1/9
▲			CleanTec			DWG. NO.	NSF50SL	REG.
▲						AUX. NO.		
NO.	REV.	DATE	SIGN					